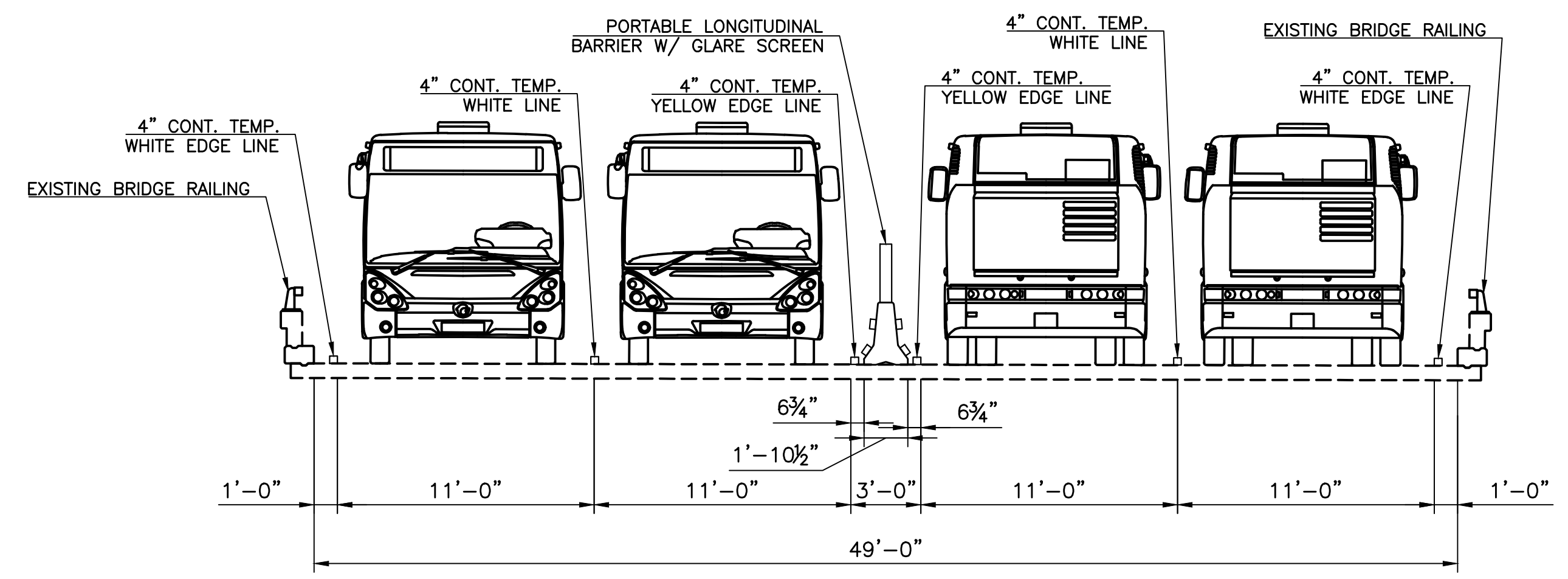
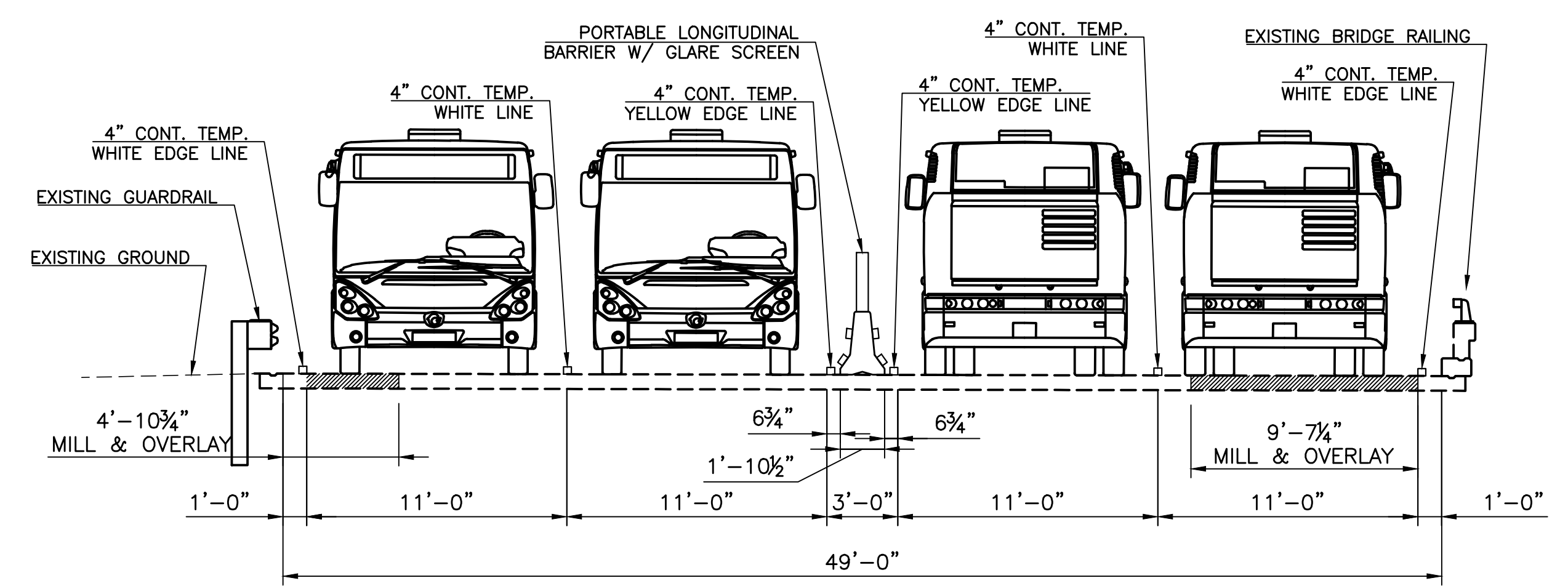


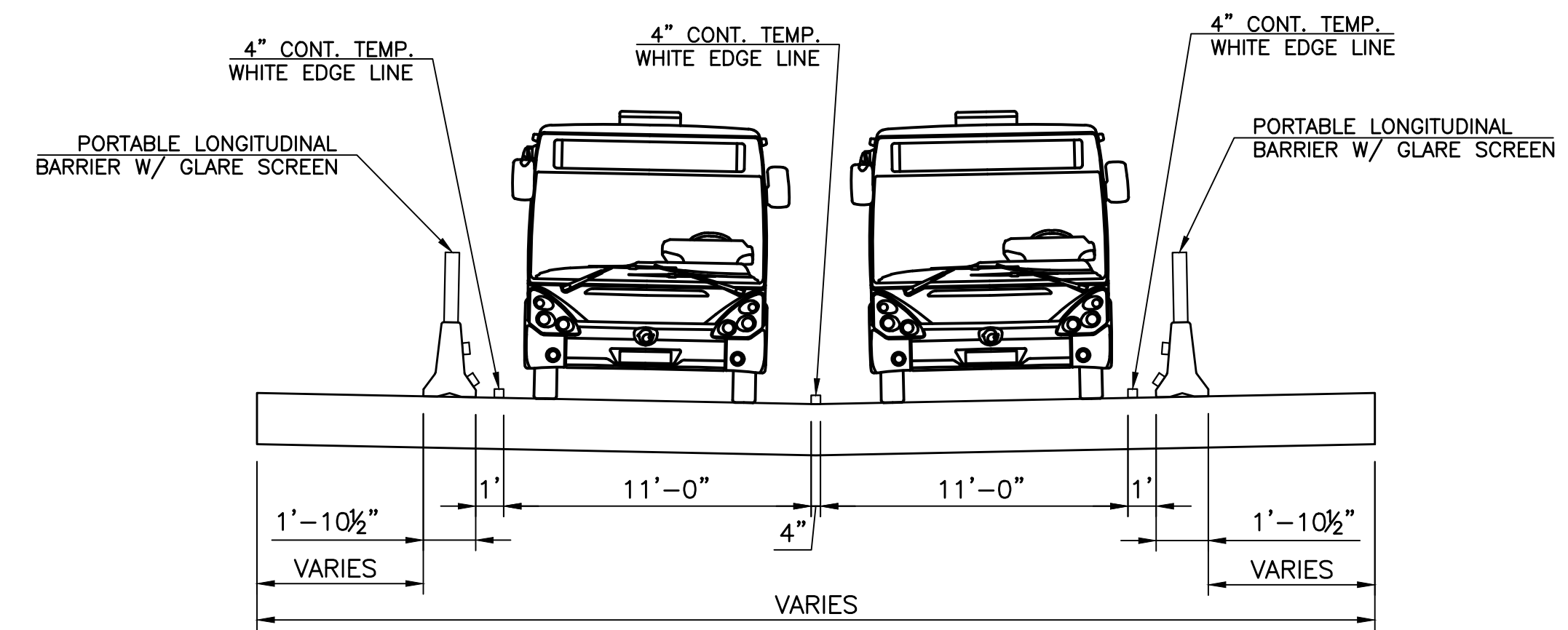
REVISIONS		
REV. NO.	DESCRIPTION	DATE



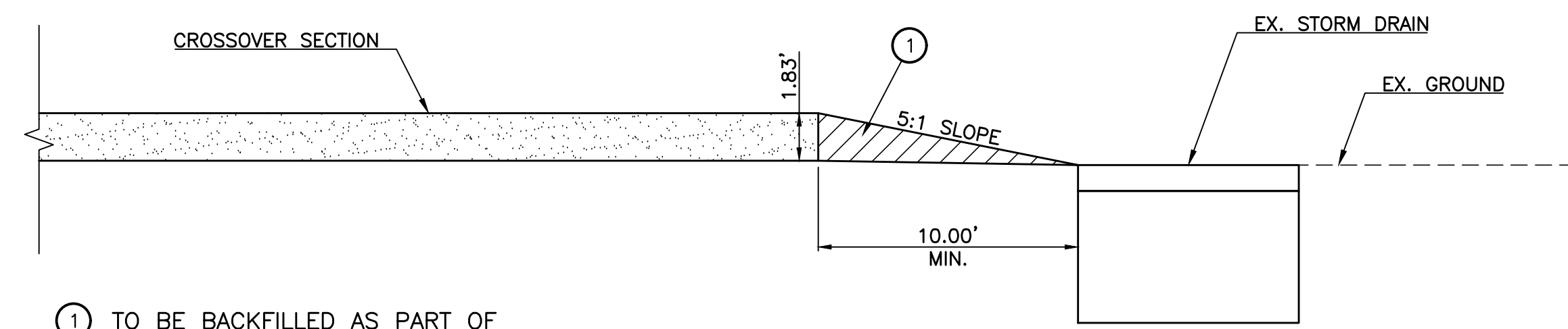
TYPICAL SECTION ON BRIDGE
(EXISTING EB BRIDGE SHOWN, PROP. WB BRIDGE SIMILAR)



BRIDGE APPROACH SECTION
(EXISTING EB BRIDGE SHOWN, PROP. WB BRIDGE SIMILAR)



TYPICAL SECTION ON CROSSOVER



① TO BE BACKFILLED AS PART OF THE FINISHING OPERATIONS. QUANTITY IS MEASURED IN T.B.S.C. TYPE 'E'.

CROSSOVER TERMINATION DETAIL

DESIGN	DGS	11/16	TULSA COUNTY	US-64 OVER 97TH W. AVE.
DRAWN	SDK	11/16	OKLAHOMA DEPARTMENT OF TRANSPORTATION	
CHECKED	HRA	11/16	TRAFFIC PHASING US 64 DETAILS (SHEET 2 OF 2) STATE JOB NO. 28884(04) SHEET NO. 23	
APPROVED				
WALTER P MOORE				

X:\M12\2015\2005-07 0007 EC-1414 US-64 Task 5\Civil\Draw\17-23-M12-2005-07-TRAFIC CONTROL.dwg Jun 12, 2017 - 8:18am ssmak